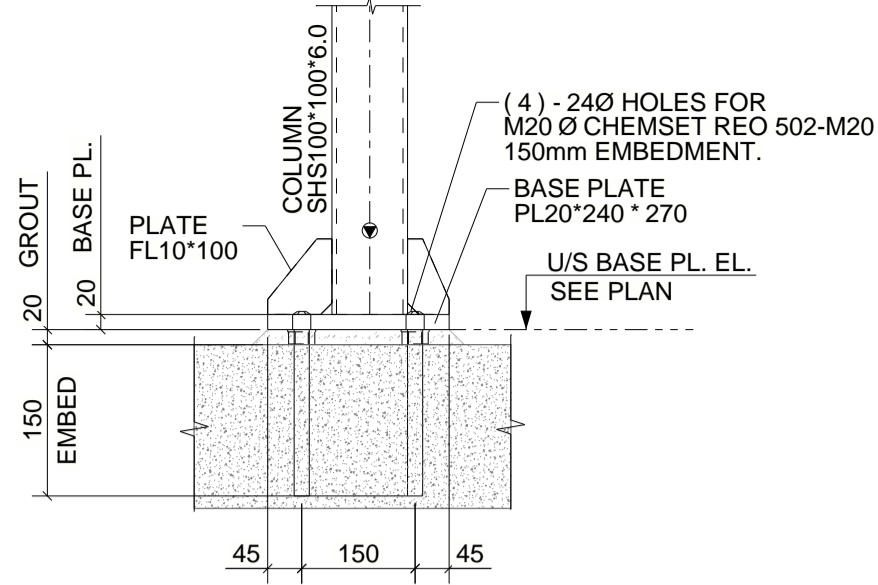
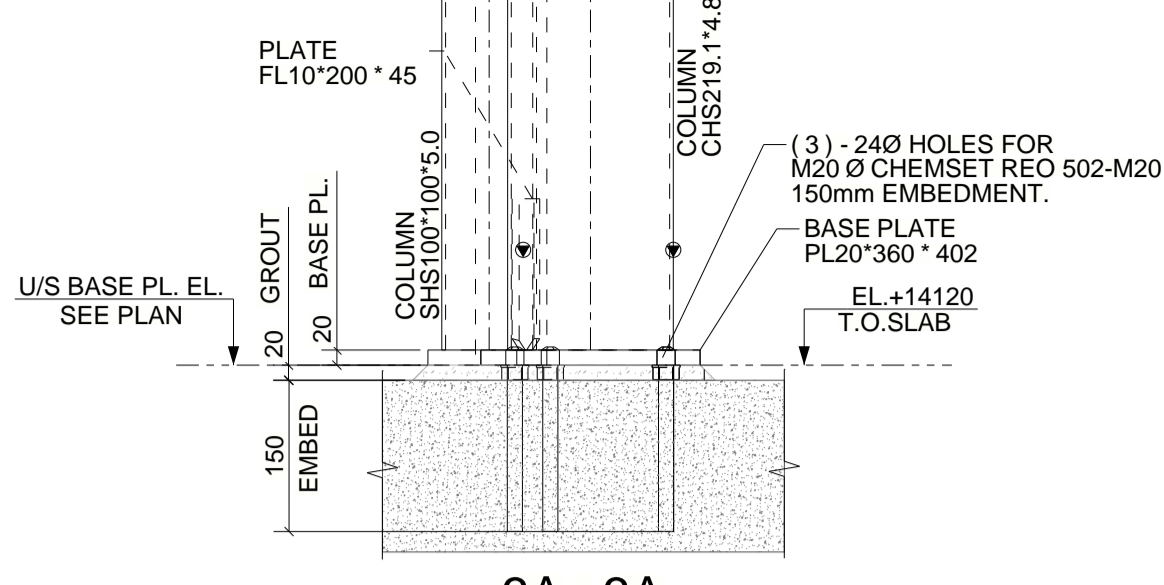


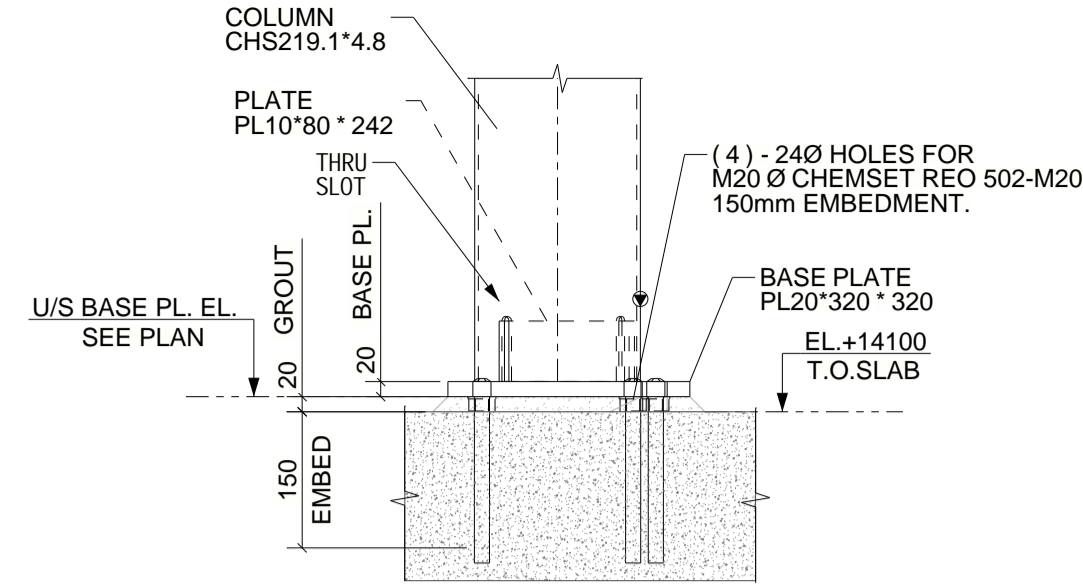
**1A - 1A**  
SCALE = 1:10



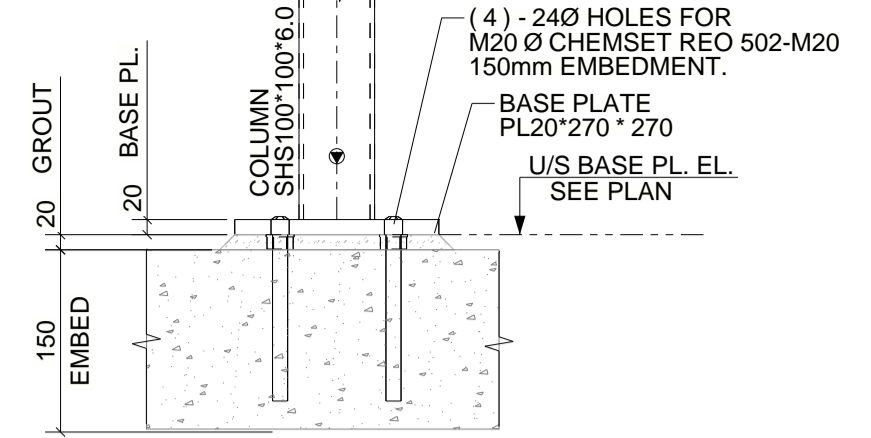
**2A - 2A**  
SCALE = 1:10



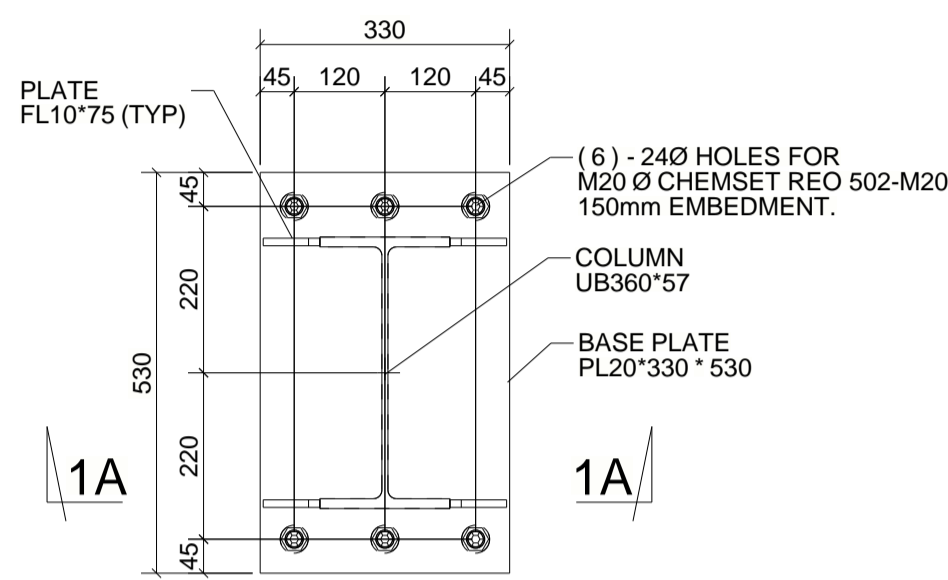
**3A - 3A**  
SCALE = 1:10



**4A - 4A**  
SCALE = 1:10

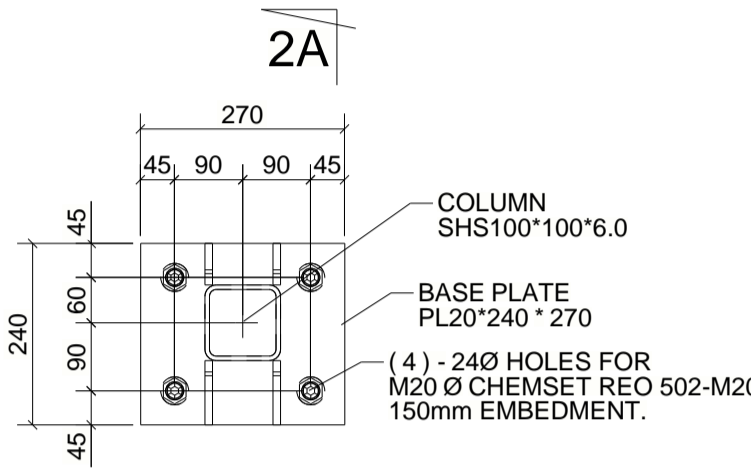


**5A - 5A**  
SCALE = 1:10



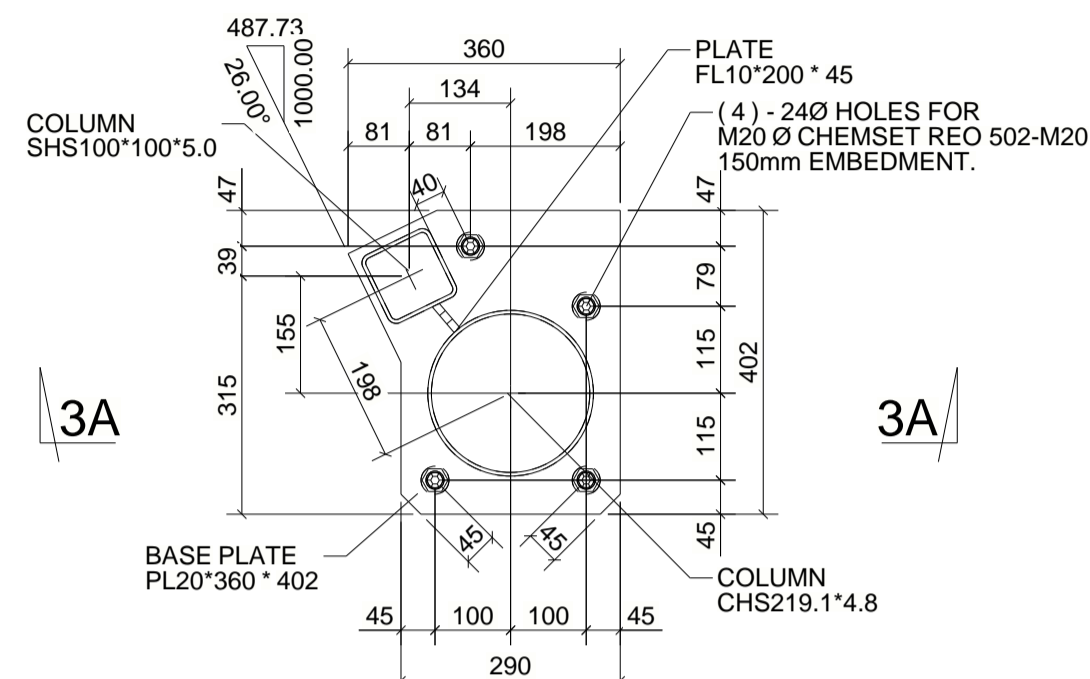
**DETAIL-1**

SCALE = 1:10 (GA101)  
(ORIENTATION & U/S OF BASE PL. EL. PER PLAN)  
(TOTAL = 4 LOCATIONS)



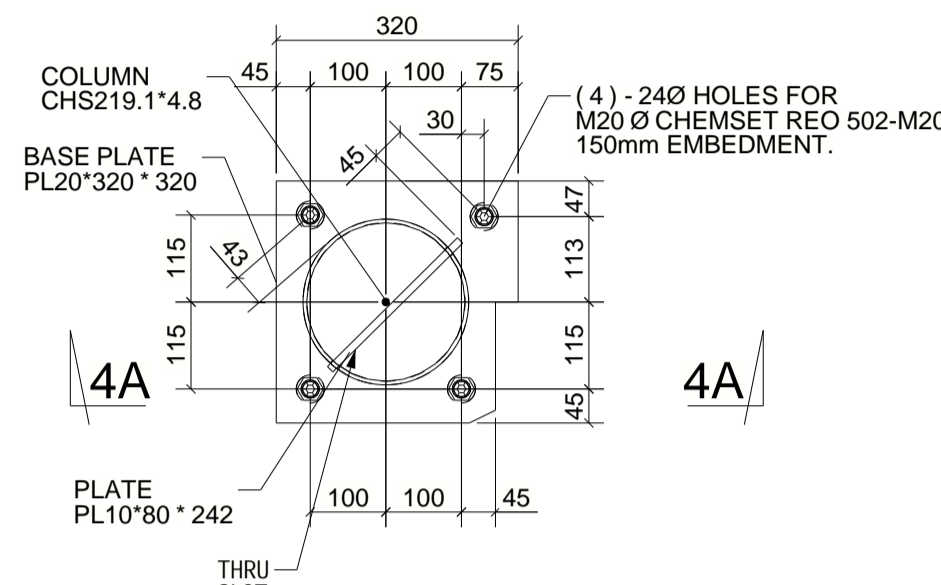
**DETAIL-2**

SCALE = 1:10 (GA101)  
(ORIENTATION & U/S OF BASE PL. EL. PER PLAN)  
(TOTAL = ONE LOCATION)



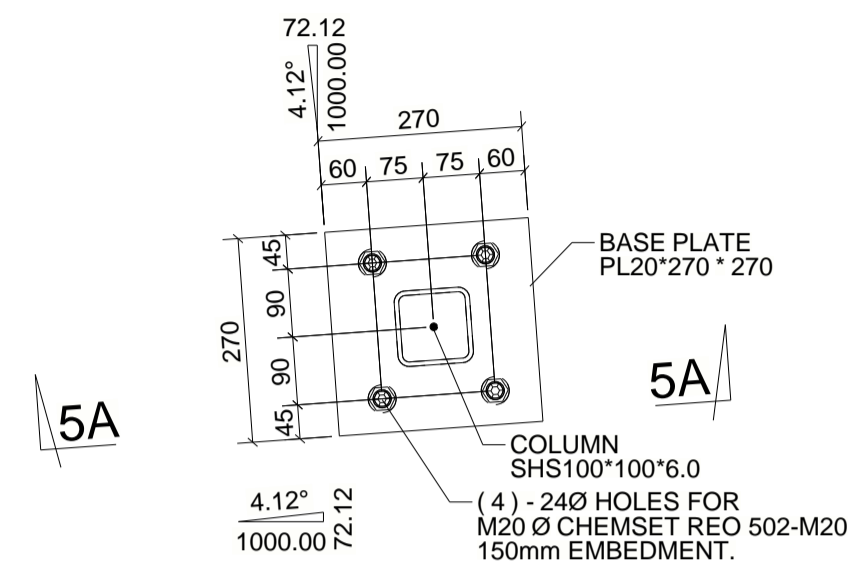
**DETAIL-3**

SCALE = 1:10 (GA101)  
(ORIENTATION & U/S OF BASE PL. EL. PER PLAN)  
(TOTAL = ONE LOCATION)



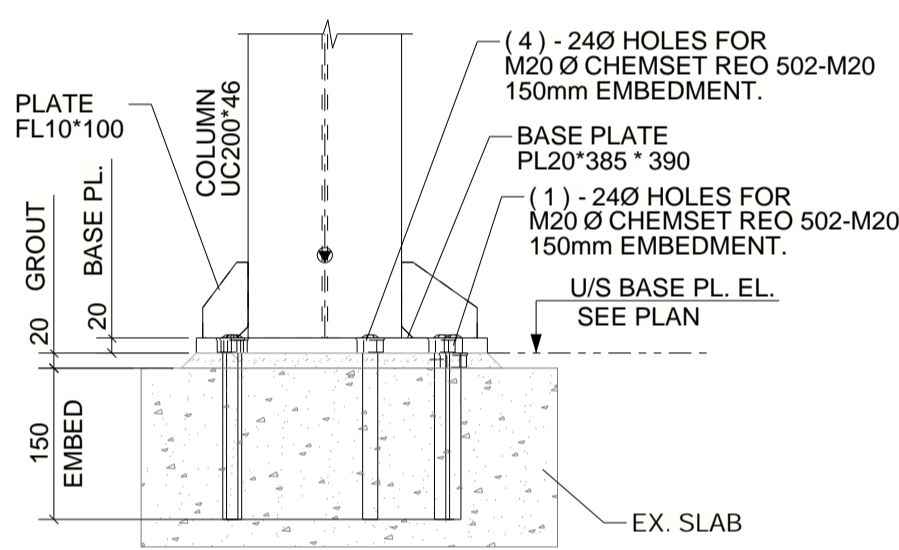
**DETAIL-4**

SCALE = 1:10 (GA101)  
(ORIENTATION & U/S OF BASE PL. EL. PER PLAN)  
(TOTAL = ONE LOCATION)

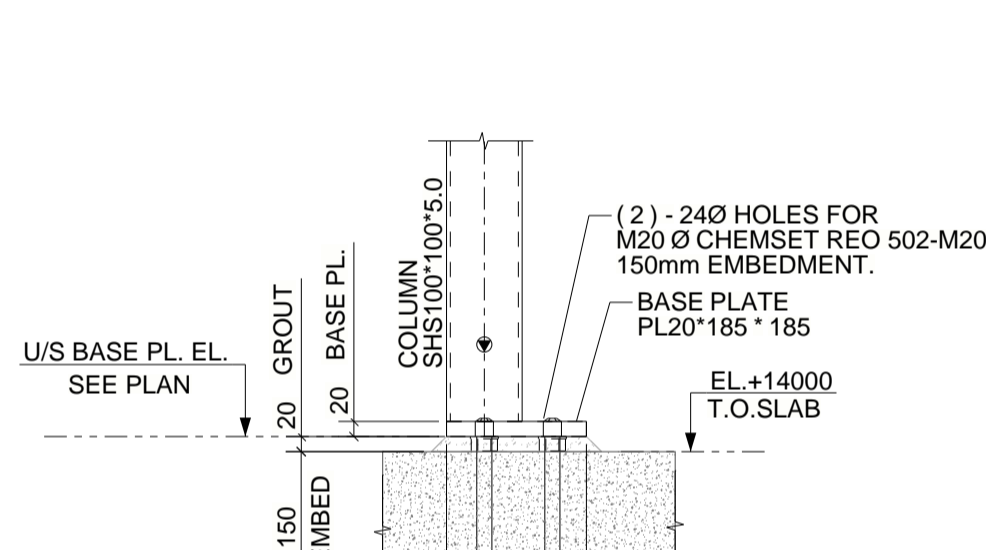


**DETAIL-5**

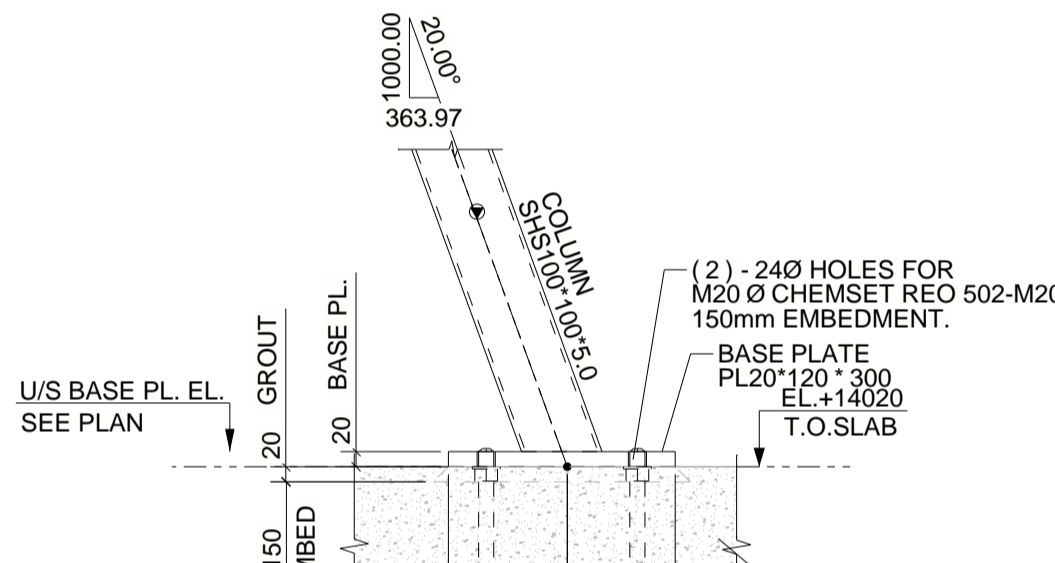
SCALE = 1:10 (GA101)  
(ORIENTATION & U/S OF BASE PL. EL. PER PLAN)  
(TOTAL = ONE LOCATIONS)



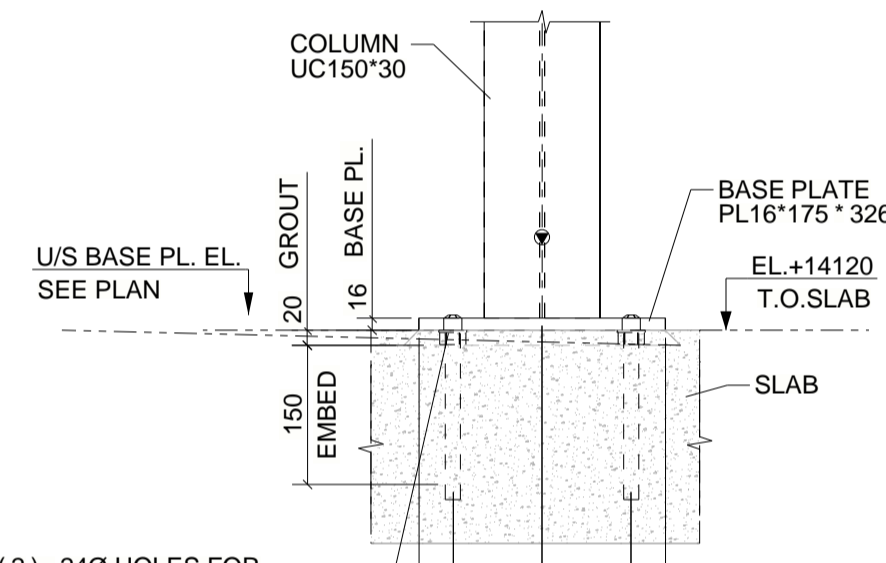
**6A - 6A**  
SCALE = 1:10



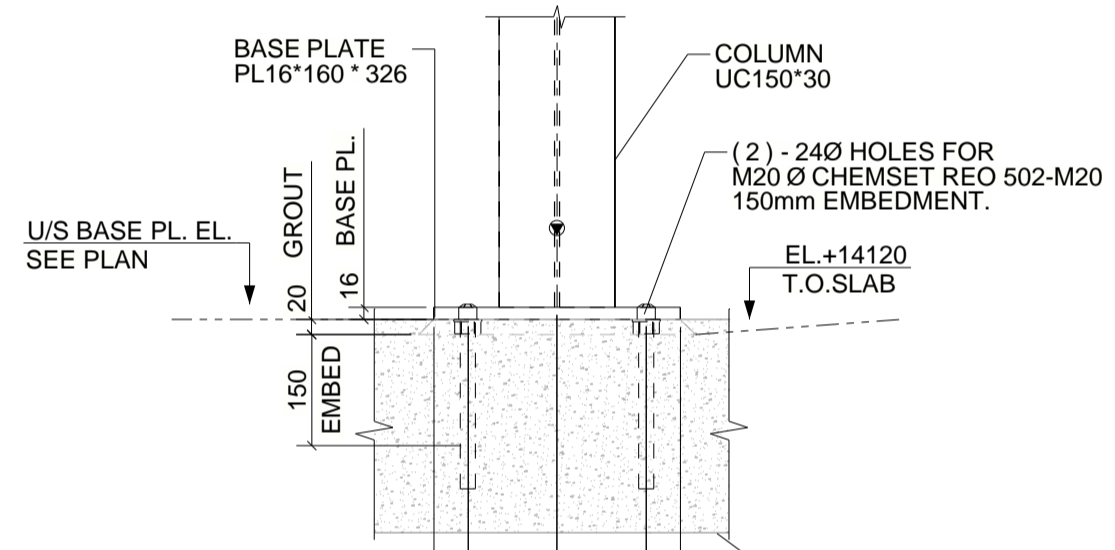
**7A - 7A**  
SCALE = 1:10



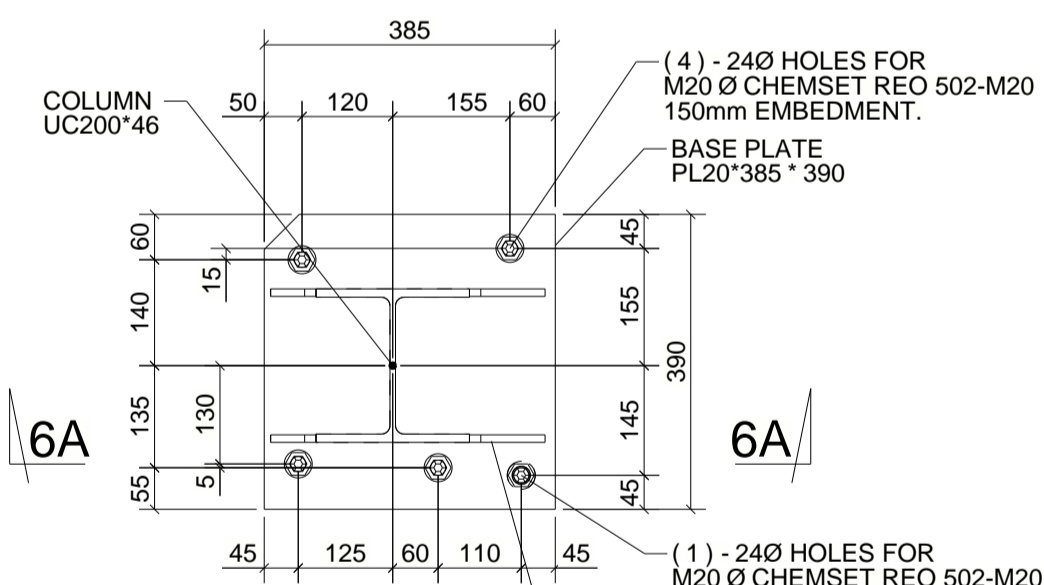
**8A - 8A**  
SCALE = 1:10



**9A - 9A**  
SCALE = 1:10

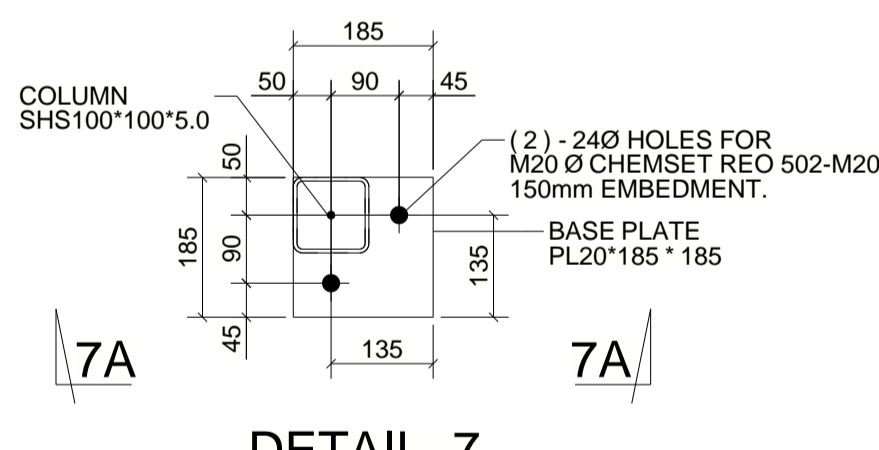


**10A - 10A**  
SCALE = 1:10



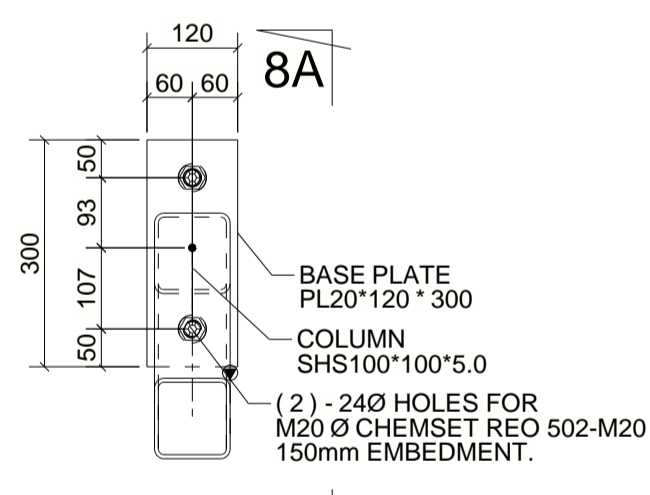
**DETAIL-6**

SCALE = 1:10 (GA101)  
(ORIENTATION & U/S OF BASE PL. EL. PER PLAN)  
(TOTAL = ONE LOCATIONS)



**DETAIL-7**

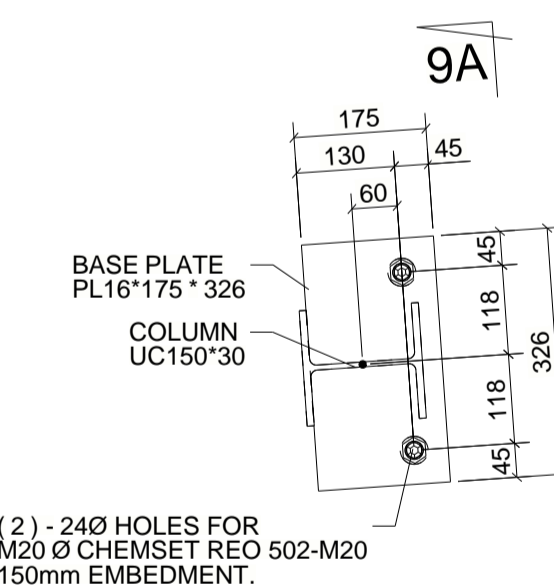
SCALE = 1:10 (GA101)  
(ORIENTATION & U/S OF BASE PL. EL. PER PLAN)  
(TOTAL = 2 LOCATIONS)



**8A**

**DETAIL-8**

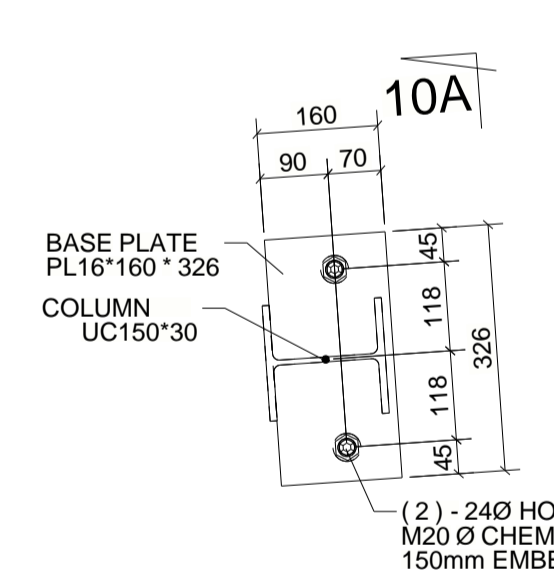
SCALE = 1:10 (GA101)  
(ORIENTATION & U/S OF BASE PL. EL. PER PLAN)  
(TOTAL = 2 LOCATIONS)



**9A**

**DETAIL-9**

SCALE = 1:10 (GA101)  
(ORIENTATION & U/S OF BASE PL. EL. PER PLAN)  
(TOTAL = 3 LOCATIONS)



**10A**

**DETAIL-10**

GA101 SCALE = 1:10 (GA101)  
(ORIENTATION & U/S OF BASE PL. EL. PER PLAN)  
(TOTAL = 4 LOCATIONS)

PROJECT

TITLE

Project No

DRG No

REV